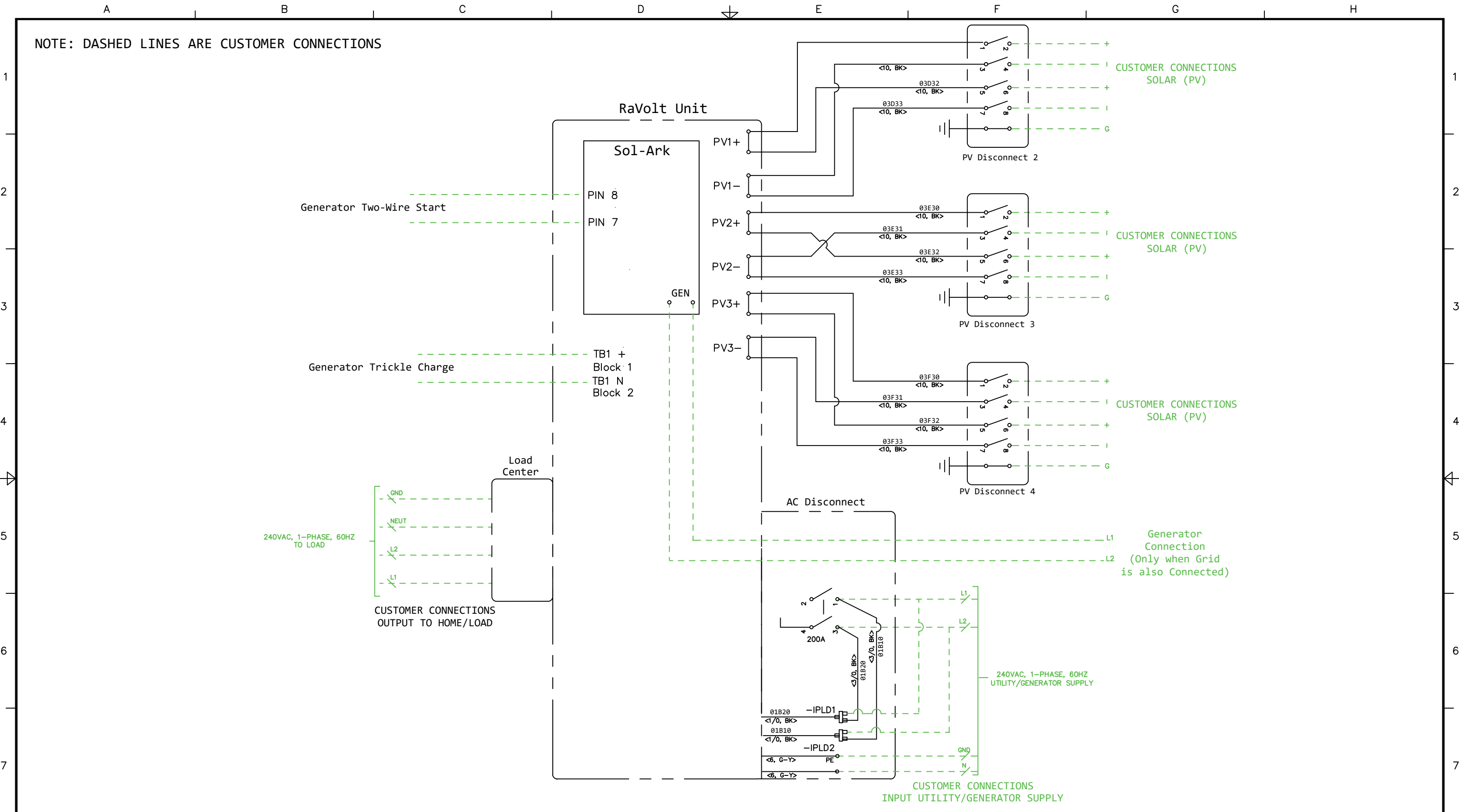


NOTE: DASHED LINES ARE CUSTOMER CONNECTIONS



Transmittal, reproduction, dissemination and/or editing of this document as well as utilization of its contents and communication thereof to others without express authorization are prohibited. Offenders will be held liable for payment of damages. All rights created by patent grant or registration of a utility model or design patent are reserved.

ISS	DATE	DESCRIPTION	DWN	CHK	APR	ISS	DATE	DESCRIPTION	DWN	CHK	APR	THIRD ANGLE PROJ	CUSTOMER: Sol-Ark End User Connections CUST. ORDER NO.: PA ORDER NO.: 9494-2-2	Confidential Property of RaVolt, LLC	
00	03/01/24	INITIAL RELEASE		GSR									ELECTRICAL SCHEMATIC PHOTOVOLTAIC INTERCONNECT WIRING	SIZE B	DRAWING/PART NO. 9494-2-2
														SHEET 01	CONT 04
														SCHEM	